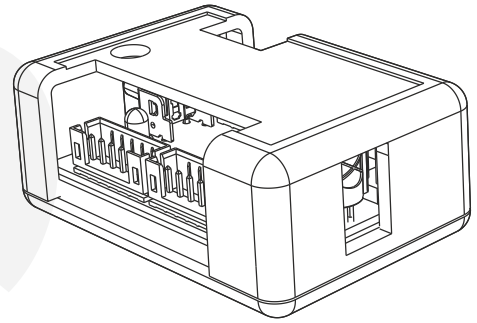


IR GATEWAY

MODEL:
LXP - 306-IRC

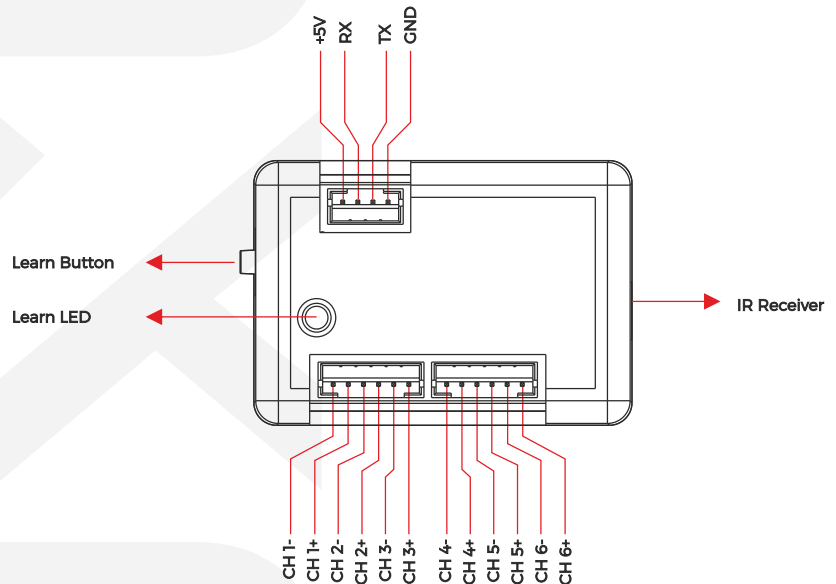


The I-Luxus IR Gateway module is an extension module of I-Luxus EOZ Touch Panel. It is a gateway between infrared signal modules and EOZ. All IR signals can be learned with its infrared sensor. Consequently, learned IR signal sends to the related device. It has 6 independent IR Output channels. User can manage six devices over EOZ Touch Panel at the same time. The I-Luxus IR Gateway opens a new window to remote control.

PRODUCT CHARACTERISTICS

- ▶ 6 IR Outputs
- ▶ Learn IR sensor
- ▶ Learn button
- ▶ Status LED
- ▶ Production in Germany, certified to ISO 9001
- ▶ 2 years warranty

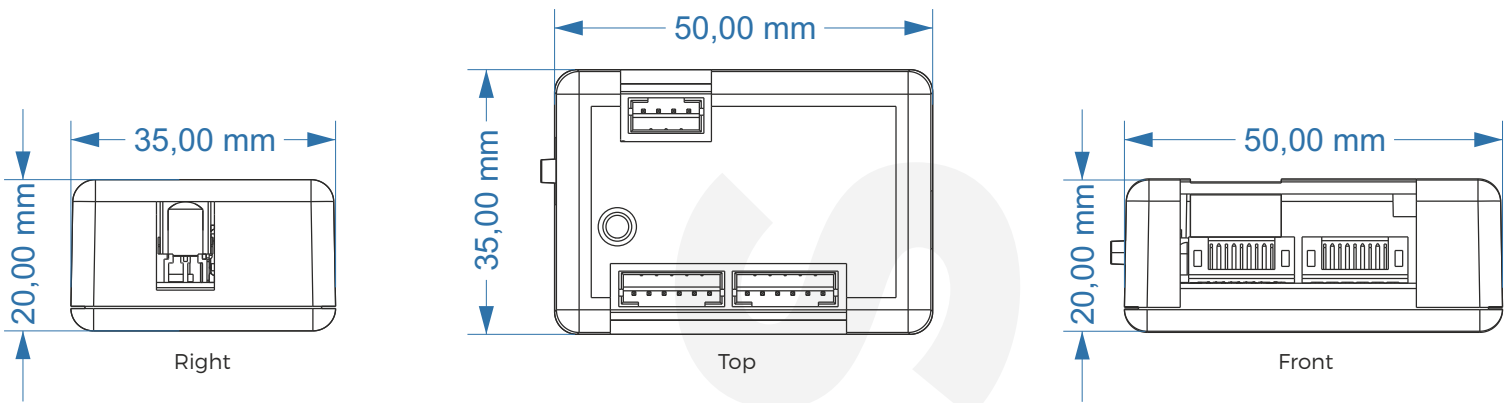
CONNECTION DIAGRAM



SAFETY INSTRUCTIONS

- ▶ Electrical equipment must be installed and suited only by qualified electricians.
- ▶ Observe the current accident prevention regulations.
- ▶ Failure to observe any of the installation instructions may cause damage to the device and result in fire and other hazards.
- ▶ Before working on the device or before replacing any connected loads, disconnect the supply voltage (by cutting out the circuit breaker) to avoid the risk of an electric shock.
- ▶ Make sure during the installation that there is always sufficient insulation between the mains voltage and the bus.
- ▶ Do not open the device and do not use it outside the scope of the technical specifications.

SCALE DRAWINGS



TECHNICAL DATA

Type of protection	IP 20	EN 60529
Safety class	II	EN 61140
Models	6-IR Channel	LXP-306-IRC
Product Detail	6-IR Channel Module	
Power Supply	No extention power supply	
Mounting	EOZ Mounting Box	
Output	Voltage	DC 5V
	Current	<10mA
	Frequency	32kHz-42kHz
Output Connection	Housing	
	Contact	Phosphor Bronze
	Wire Range	0,20mm-0,64mm
Temperature Range	Max. cable lenght	30mt
	Operation	(-5...+45)
	Storage	(-20...+70)
Humidity	Maximum air humidity	%85 no moisture condensation
Flammability	Non-flammable product	
Dimensions	L:35mm W:50mm H:20mm	
Weight		
Certification	CE	